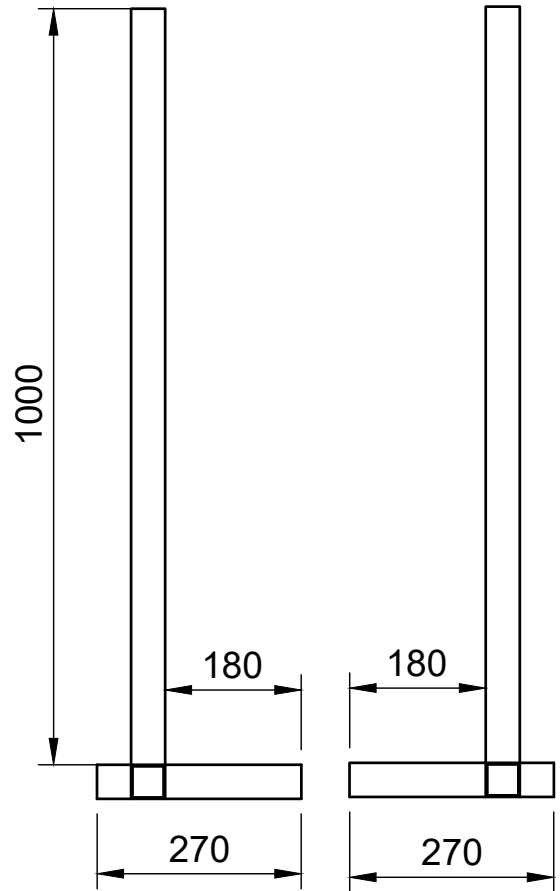
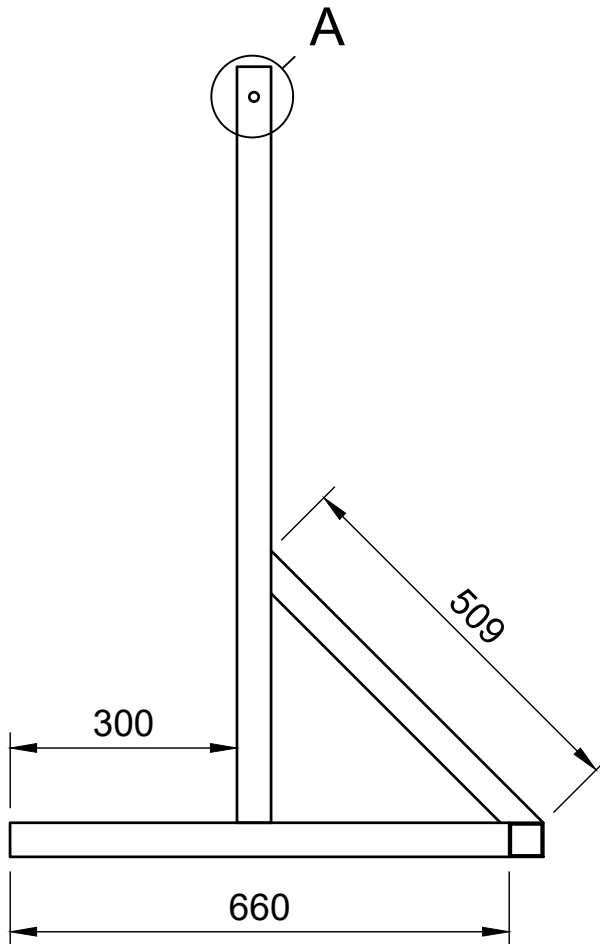
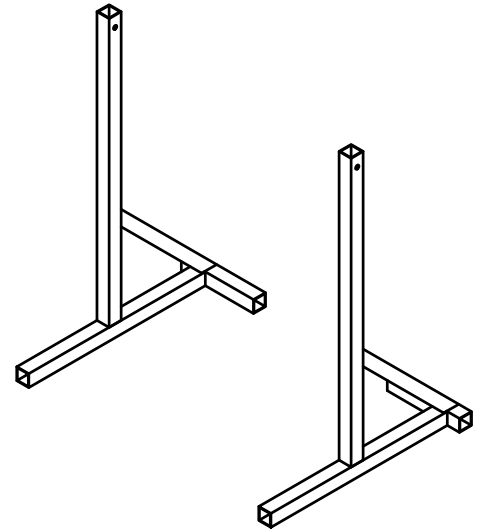
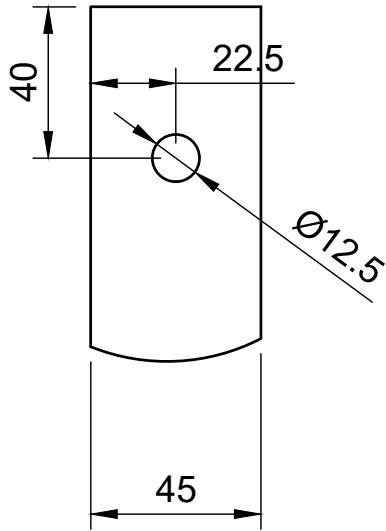


Parts List

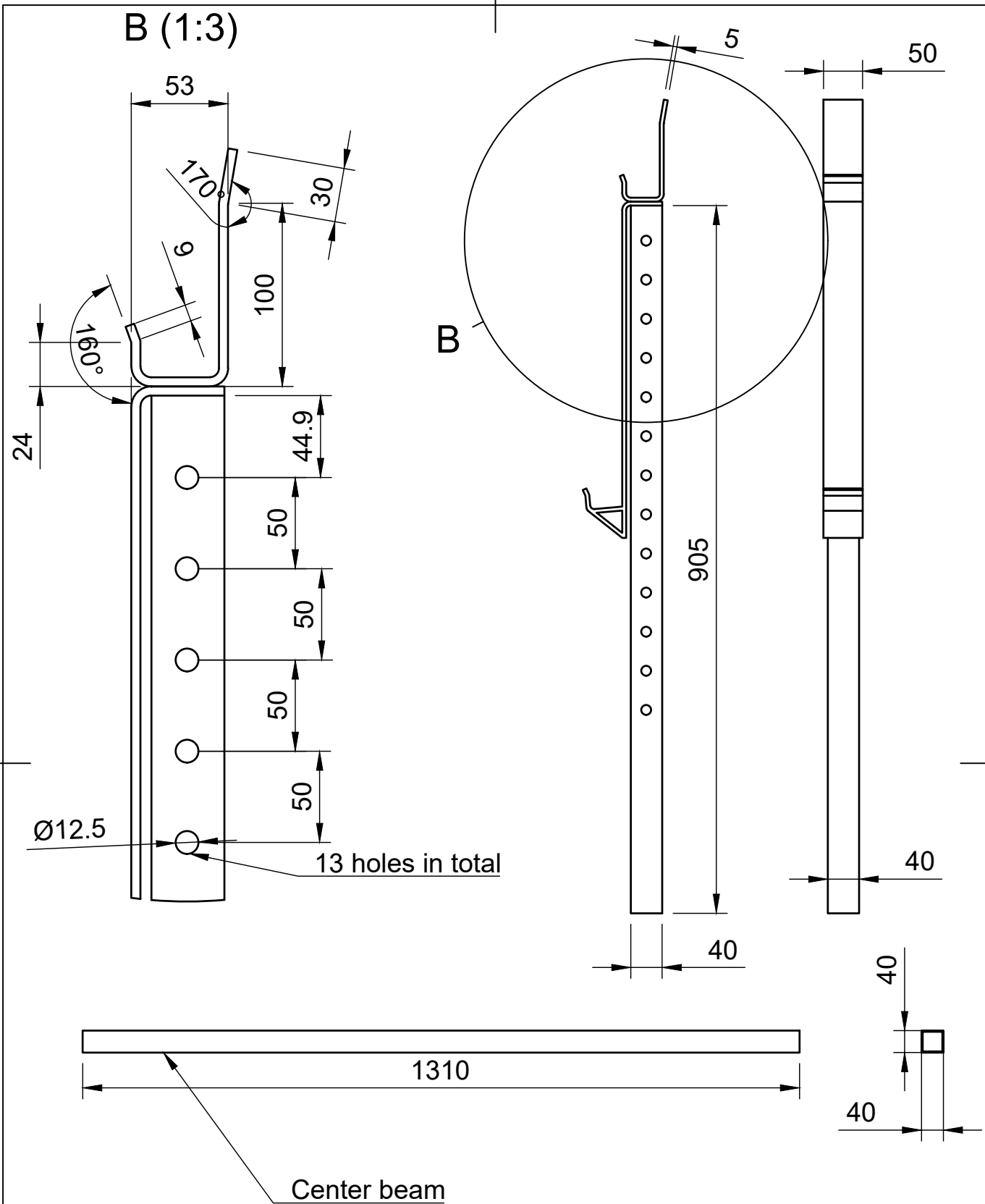
Item	Qty	Part Number	Description	Material
1	1	Left Leg		Steel
2	1	Center Beam	40x40x2 mm	Steel
3	1	Barbell Support		Steel
4	1	Right Leg		Steel
5	1	Barbell Support Lock v1		Steel

Dept.	Technical reference	Created by OH-Engineering 21/08/2020	Approved by	
		Document type	Document status Released	
		Title Squat Stand	DWG No. 001	
	Rev.	Date of issue	Sheet	
	1.0	250920	1/9	

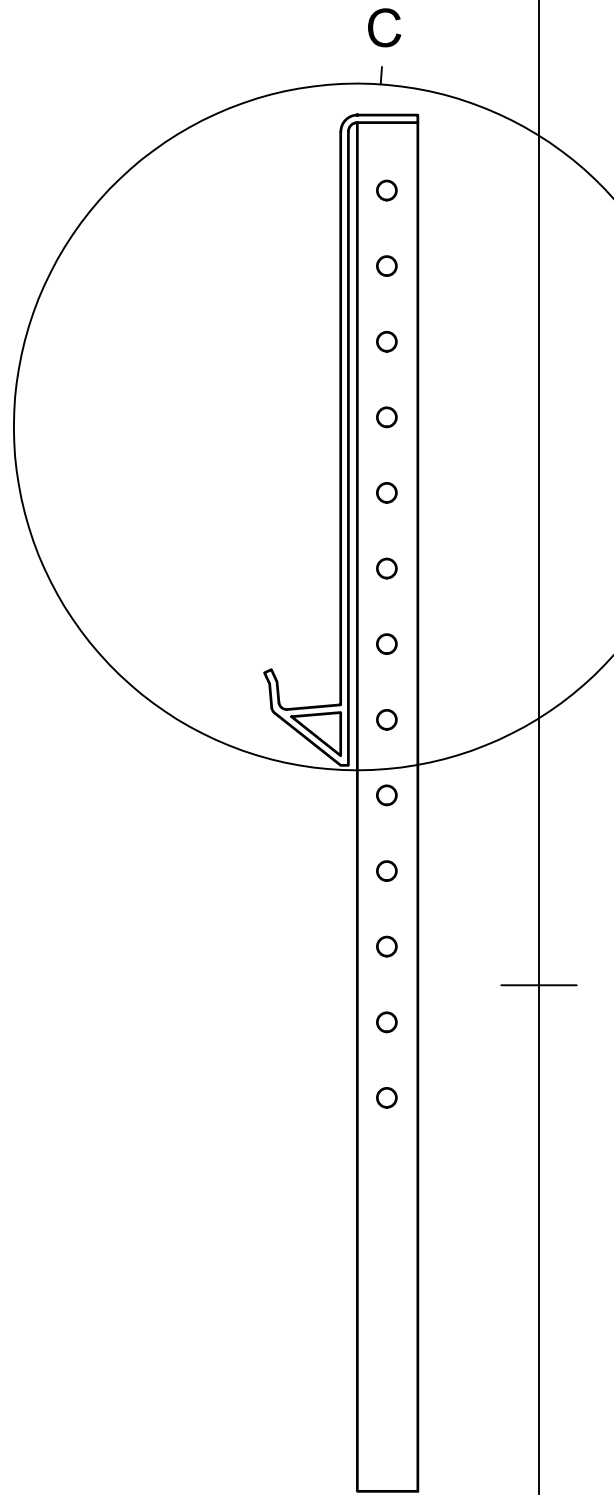
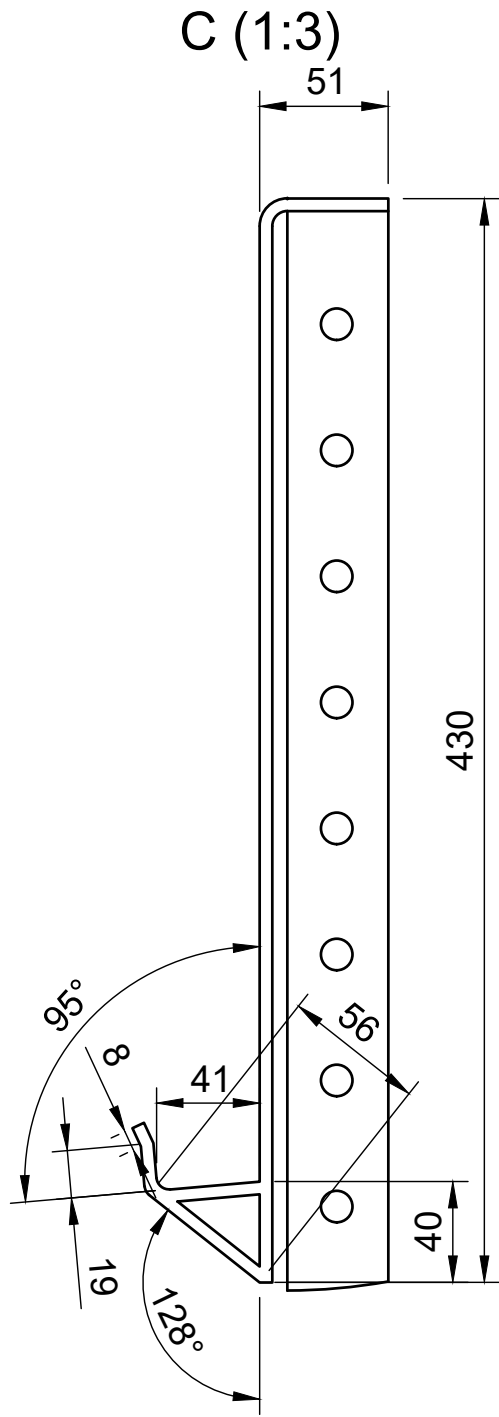
A (1:2)



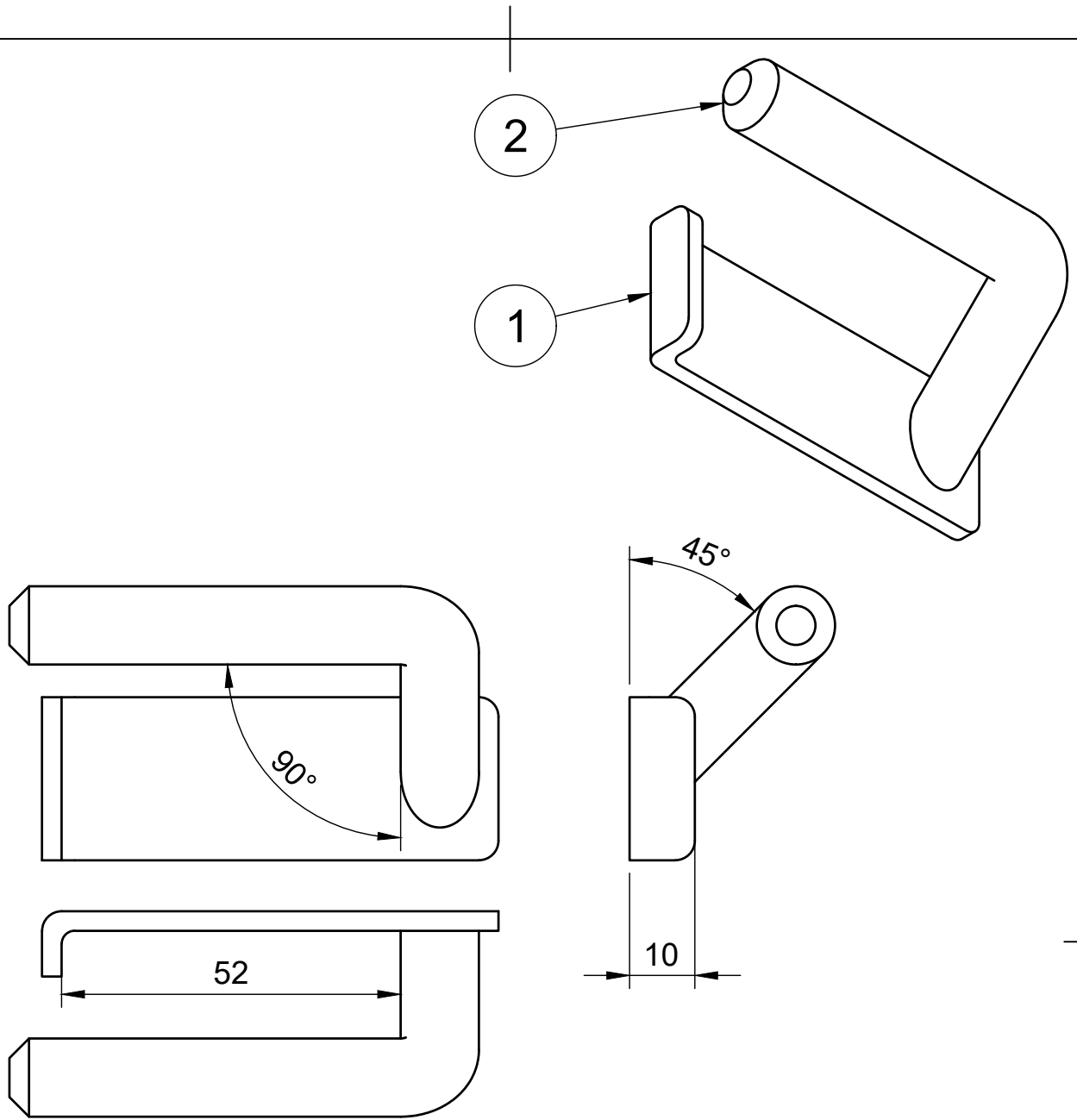
Dept.	Technical reference	Created by OH-Engineering 21/08/2020	Approved by	
		Document type	Document status	
		Title Squat Stand	DWG No. 001	
		Rev.	Date of issue 250920	Sheet 2/9



Dept.	Technical reference	Created by OH-Engineering 21/08/2020	Approved by	
		Document type	Document status	
		Title Squat Stand	DWG No. 001	
		Rev.	Date of issue 250920	Sheet 3/9



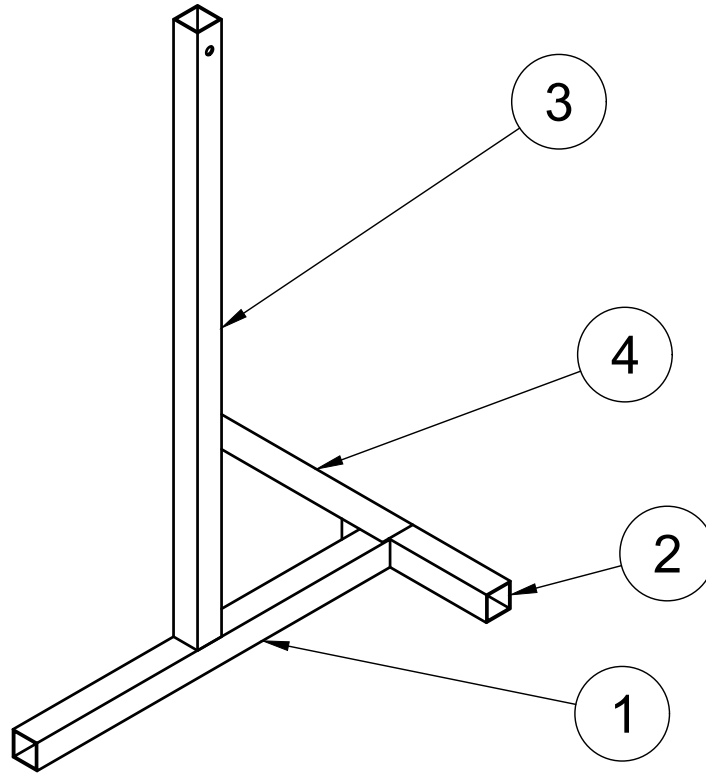
Dept.	Technical reference	Created by OH-Engineering 21/08/2020	Approved by	
		Document type	Document status	
		Title Squat Stand	DWG No. 001	
		Rev.	Date of issue 250920	Sheet 4/9



Parts List

Item	Qty	Part Number	Description	Material
1	1	Lock pin hook	25x3 mm	Steel
2	1	Lock Pin	12mm	Steel

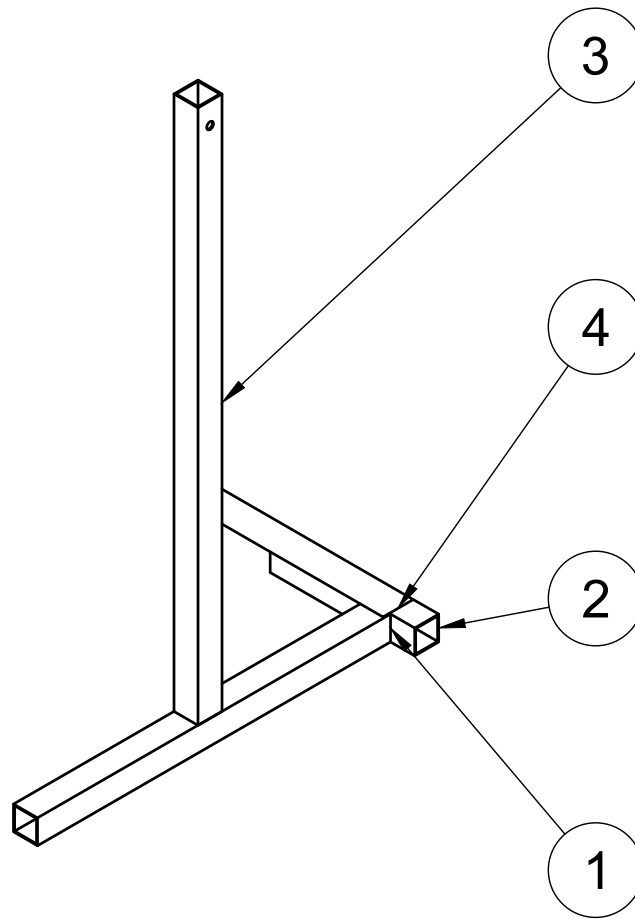
Dept.	Technical reference	Created by OH-Engineering 21/08/2020	Approved by	
		Document type	Document status Released	
		Title Squat Stand	DWG No. 001	
	Rev. 1.0	Date of issue 250920	Sheet 5/9	



Parts List

Item	Qty	Part Number	Description	Material
1	1	Left Floor Beam	40x40x2 mm	Steel
2	1	Left Floor Center Beam Connector	45x45x2 mm	Steel
3	1	Left Upright	45x45x2 mm	Steel
4	1	Left Brace	40x40x2 mm	Steel

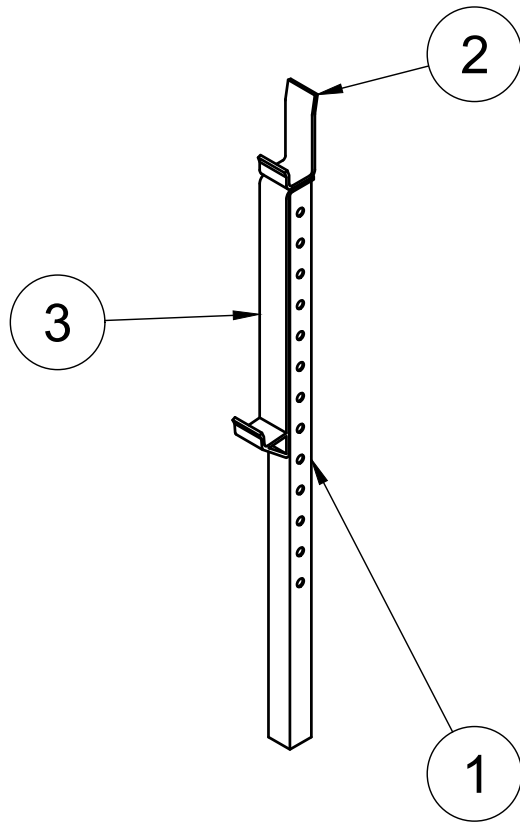
Dept.	Technical reference	Created by OH-Engineering 21/08/2020	Approved by	
		Document type	Document status Released	
		Title Squat Stand	DWG No. 001	
		Rev. 1.0	Date of issue 250920	Sheet 6/9



Parts List

Item	Qty	Part Number	Description	Material
1	1	Right Floor Beam	45x45x2 mm	Steel
2	1	Right Floor Center Beam Connector	45x45x2 mm	Steel
3	1	Right Upright	45x45x2 mm	Steel
4	1	Right Brace	40x40x2 mm	Steel

Dept.	Technical reference	Created by OH-Engineering 21/08/2020	Approved by	
		Document type	Document status Released	
		Title Squat Stand	DWG No. 001	
		Rev. 1.0	Date of issue 250920	Sheet 7/9

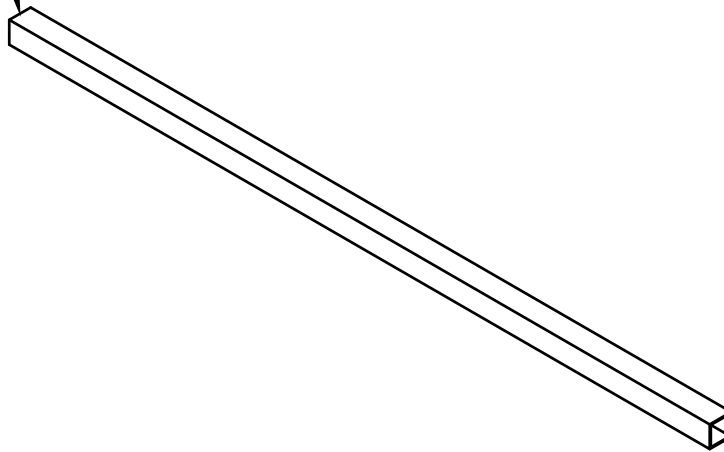


Parts List

Item	Qty	Part Number	Description	Material
1	1	Barbell Sport Profile	40x40x2 mm	Steel
2	1	Upper Bar Hook	50x5 mm	Steel
3	1	Lower Bar hook	50x5 mm	Steel

Dept.	Technical reference	Created by OH-Engineering 21/08/2020	Approved by	
		Document type	Document status Released	
		Title Squat Stand	DWG No. 001	
		Rev. 1.0	Date of issue 250920	Sheet 8/9

2



Parts List

Item	Qty	Part Number	Description	Material
2	1	Center Beam	40x40x2 mm	Steel
Dept.		Technical reference	Created by OH-Engineering 21/08/2020	Approved by
			Document type	Document status Released
			Title Squat Stand	DWG No. 001
		Rev. 1.0	Date of issue 250920	Sheet 9/9